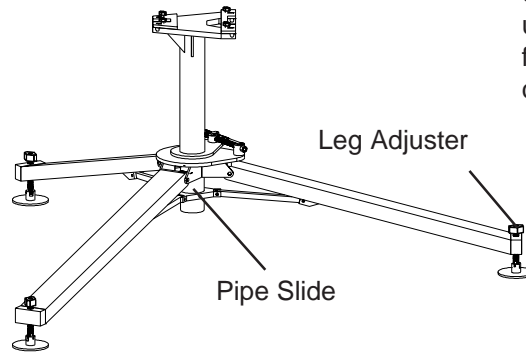
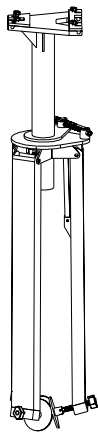


## 1.8 Fly-away Antenna System Assembly Instructions

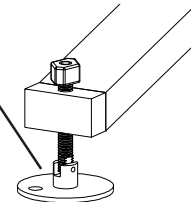


ATRIOT  
ANTENNA SYSTEMS

704 North Clark Street Albion, MI 49224 USA  
Tel: (517)629-5990 Fax: (517)629-6690  
E-mail: info@sepatriot.com Web site: www.sepatriot.com

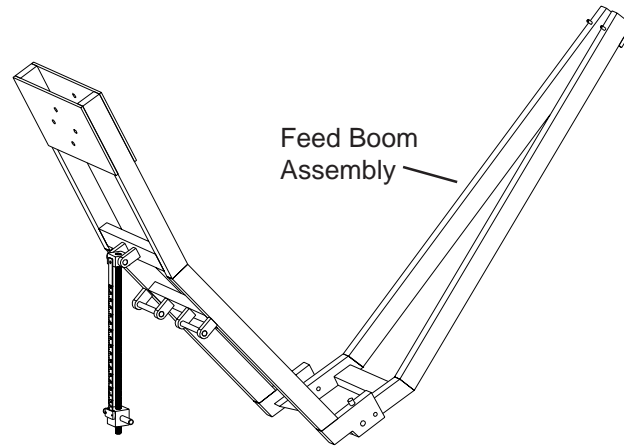
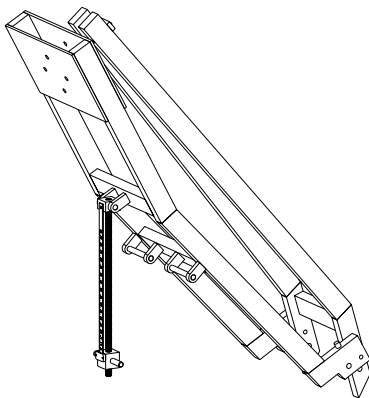


Stake Down or  
use sandbags  
for strong wind  
conditions



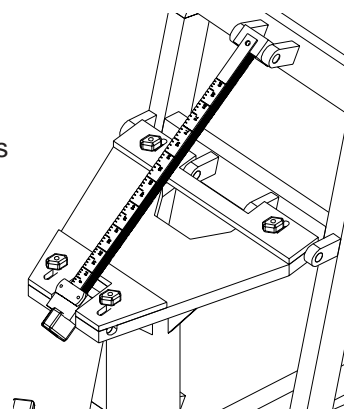
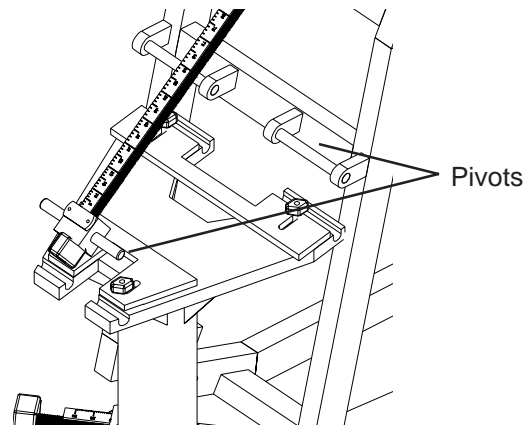
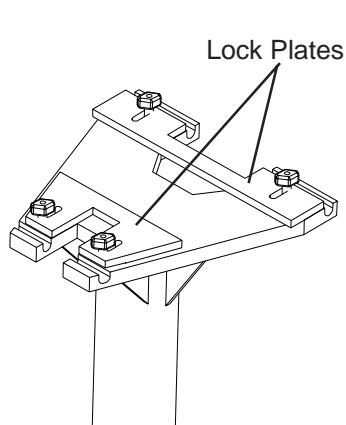
Remove the Mount Assembly from the case and unfold. Lock the Pipe Slide and level the mount using the three Leg Adjusters.

---



Remove the Back Structure Assembly from the case and unfold. Lock the Feed Boom Assembly.

---

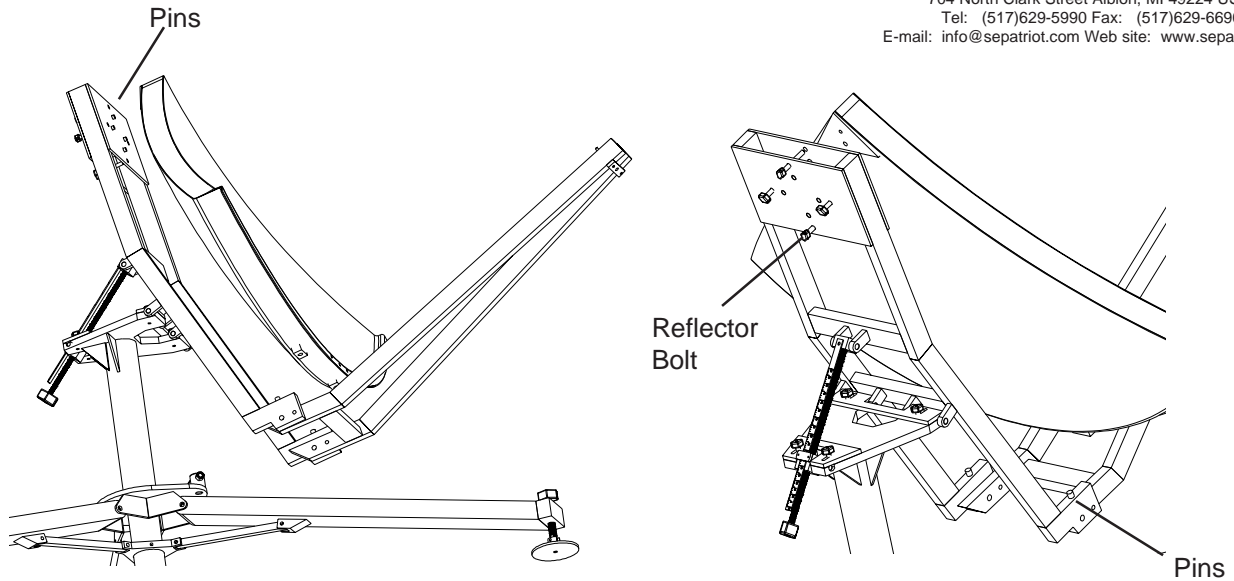


Unlock the Back Structure Lock Plates on the Mount plate if not done already and place the Back Structure Pivots in the corresponding locations. Lock the plates.



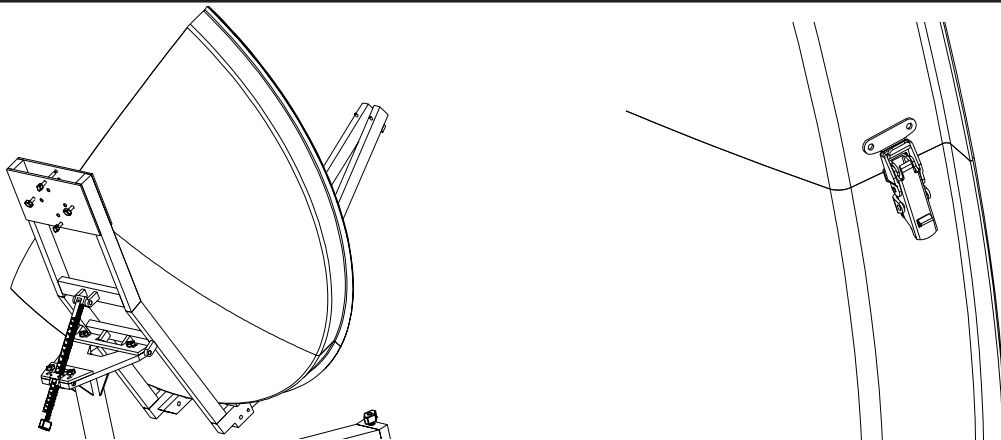
**PATRIOT  
ANTENNA SYSTEMS**

704 North Clark Street Albion, MI 49224 USA  
Tel: (517)629-5990 Fax: (517)629-6690  
E-mail: info@sepatrilot.com Web site: www.sepatrilot.com



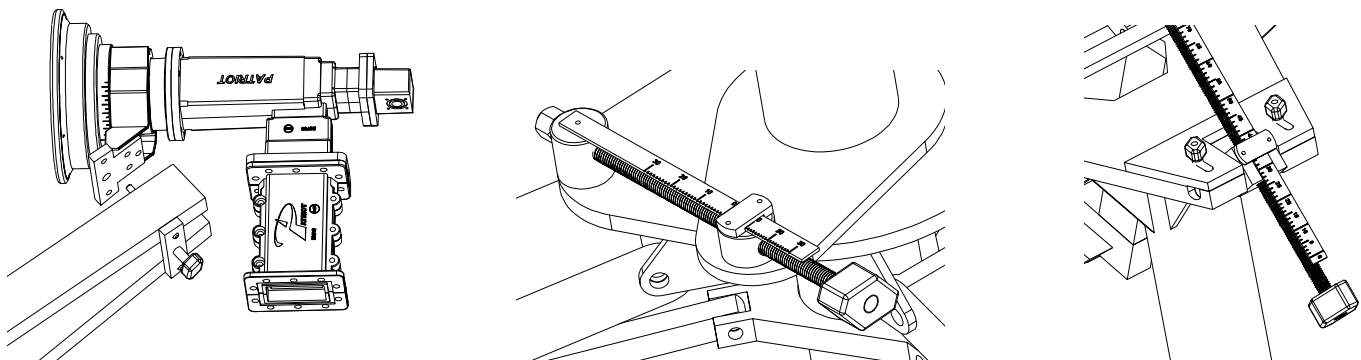
Remove the Bottom Reflector Assembly and place on the pins located on the locating pins on the Back Structure Assembly. Tighten the Reflector Bolt.

---



Repeat the process with the Right Reflector, Left Reflector Assembly and Top Reflector Assembly and Lock down the latches after each reflector assembly is locked down.

---



Attach the Feed Assembly the Feed boom with Feed Assembly lock, Adjust the Azimuth and Elevation to peak signal on desired satellite.